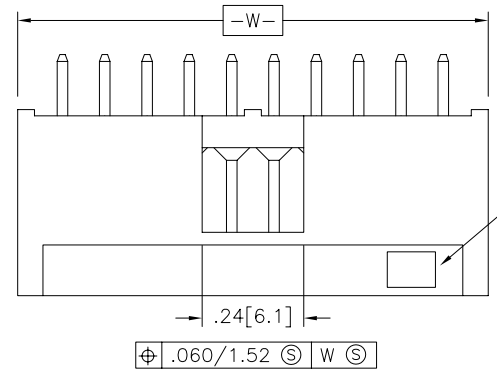




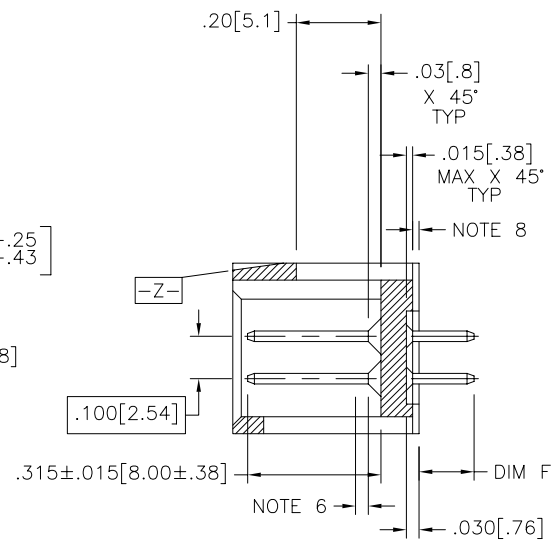
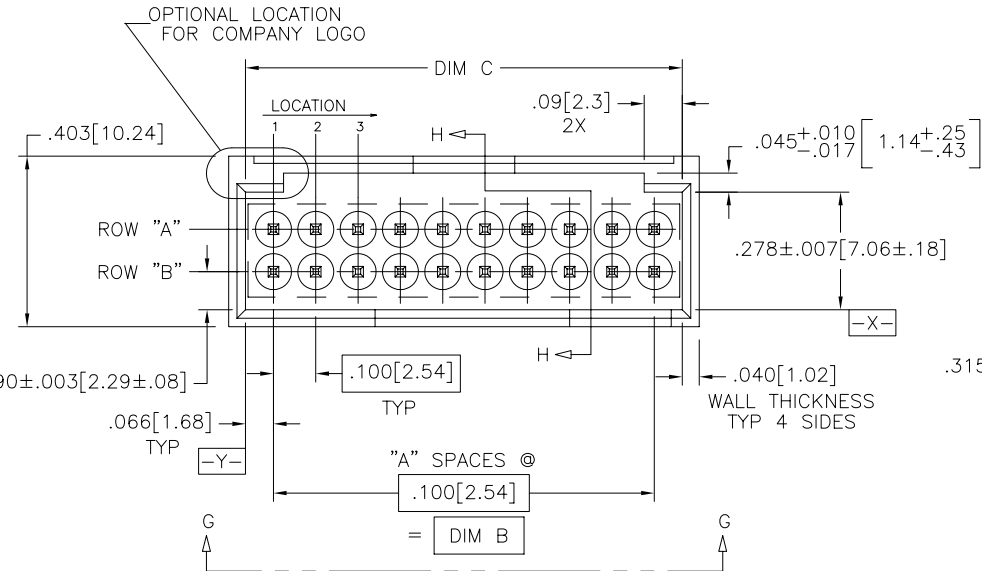
FCIconnect.com

Copyright FCI

PRODUCT NUMBER
SEE TABLE



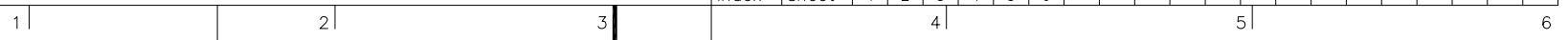
NOTE 5



SECTION H-H

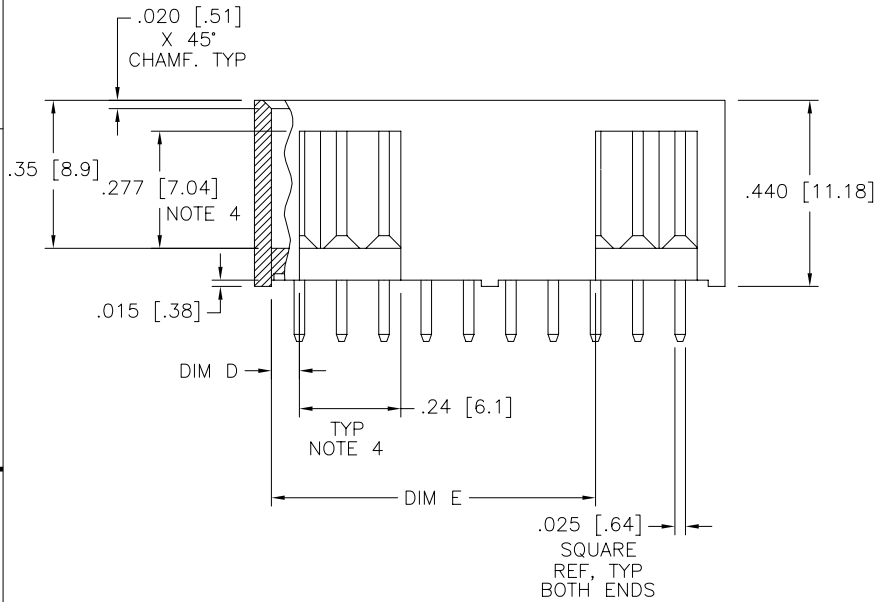
mat'l. code NOTE 1 & 3		surface ISO 1302 ✓		tolerance ISO 406 ISO 1101		projection INCH/MM		product family HEADER	
ltr		ecn no dr		date		tolerances unless otherwise specified		title	
B	REVISION	MRC	9/18/90	angles	linear	.XX±.01/XX±0.3		STRAIGHT HEADER FOR	
C	V71549	EPK	11/13/97			.XXX±.005/XXX±0.13		ROUND WIRE RECEPTACLE	
D	V01541	MDF	6/27/00	0°±2'		.XXXX±.0020/XXX±0.05		scale 2.5:1	
E	M05-0167	ERE	7/23/05	dr	E. KROPIEWINICK	11/13/97		dwg no	
F	M07-0116	AGS	2/24/07	enfr	L. FYE	11/13/97		sheet 1 of 6 size	
G	N07-0150	MHT	8/01/07	chr	T. BREWBAKER	11/13/97		68663 A3	
sheet		revision		appd		L. FYE		type Product Customer Drawing	
index	sheet	1	2	3	4	5	6		

form: A3



PRODUCT NUMBER

SEE TABLE



\varnothing .015/.38	\varnothing (M)	X (M)	Y (M)	AT TIPS, TYP
\varnothing .006/.15	\varnothing (M)	X (M)	Y (M)	AT BASE, TYP

VIEW G-G

NOTES :

1. TERMINAL MATERIAL: 3/4 HARD PHOS. BRONZE ALLOY UNS-C51000.
2. TERMINAL PLATING: 15u"/0.38u Au OR GXT OVER 50u"/1.27u Ni PLATING ON SWAGED TIPS MANUFACTURERS OPTION.
3. MOLDING MATERIAL: GLASS FILLED POLYESTER, FLAME RETARDANT PER UL-94V-0. COLOR: BLACK
4. .020/0.51 MAX FLASH AROUND ALL WINDOWS.
5. COMPANY LOGO MOLDED IN A DATUM SURFACE -Z- APPROX. AS SHOWN.
6. .030/0.76 MAX FLASH PERMISSIBLE ON THIS END OF PINS.
7. OTHER PLATINGS ARE AVAILABLE ON 68664, 68665, AND 68666.
8. .015/0.38 MAX FLASH PERMISSIBLE ON THIS END OF PINS.
9. STANDARD PACKAGING IS TRAYS.
10. FOR TUBE PACKAGING, ADD SUFFIX "T" TO PART DASH NUMBER. EXAMPLE: 68663-XXXT.
11. PLATING OPTIONS: MAY BE EITHER GOLD OR GXT PLATED AT MANUFACTURER'S OPTION.
12. ADD "LF" SUFFIX AT THE END OF PART NUMBER FOR LEAD FREE OPTION
13. THIS PRODUCT MEETS EUROPEAN UNION DIRECTIVES AND OTHER COUNTRY REGULATION AS DESCRIBED IN GS-22-008.
14. THE HOUSING WILL WITHSTAND EXPOSURE TO 260°C PEAK TEMPERATURE FOR 15 SECONDS IN A WAVE SOLDER APPLICATION WITH A 1.5mm MINIMUM THICK CIRCUIT BOARD. SEE APPLICATION NOTES/PROCEDURES IF THEY ARE AVAILABLE.

FCI
FCIconnect.com

Copyright FCI

mat'l. code NOTE 1 & 3		surface ISO 1302 ✓	tolerance ISO 406 ISO 1101	projection ⊕	product family HEADER
ltr	ecn	no	dr	date	tolerances unless otherwise specified
G					angles linear
					0°±2'
					dr E. KROPIEWINICK 11/13/97
					enr L. FYE 11/13/97
					chr T. BREWBAKER 11/13/97
					appd L. FYE 11/13/97
sheet index	revision sheet				

INCH/MM	scale 2.5:1	title STRAIGHT HEADER FOR ROUND WIRE RECEPTACLE
FCI	dwg no 68663	sheet 2 of 6 size A3
	type Product Customer Drawing	

REAR SLOT VIEW G-G															POL. POS	
PRODUCT NO	NO.OF		A	DIM B	DIM B	DIM C	DIM C	DIM D	DIM D	DIM E	DIM E	DIM F	DIM F	POL. POS		
NOTE 12	POS	PINS	SPACES	ENGLISH	METRIC	ENGLISH	METRIC	ENGLISH	METRIC	ENGLISH	METRIC	ENGLISH	METRIC	ROW A	ROW B	
68663-001	6	6	2	0.200	5.08	0.332	8.43	0.066	1.68	0.000	0.00	0.130	3.30			
68663-002	8	8	3	0.300	7.62	0.432	10.97	0.066	1.68	0.000	0.00	0.130	3.30			
68663-003	10	10	4	0.400	10.16	0.532	13.51	0.166	4.22	0.000	0.00	0.130	3.30			
68663-004	12	12	5	0.500	12.70	0.632	16.05	0.166	4.22	0.000	0.00	0.130	3.30			
68663-005	14	14	6	0.600	15.24	0.732	18.59	0.266	6.76	0.000	0.00	0.130	3.30			
68663-006	16	16	7	0.700	17.78	0.832	21.13	0.266	6.76	0.000	0.00	0.130	3.30			
68663-007	18	18	8	0.800	20.32	0.932	23.67	0.366	9.30	0.000	0.00	0.130	3.30			
68663-008	20	20	9	0.900	22.86	1.032	26.21	0.066	1.68	0.766	19.46	0.130	3.30			
68663-009	22	22	10	1.000	25.40	1.132	28.75	0.066	1.68	0.866	22.00	0.130	3.30			
68663-010	24	24	11	1.100	27.94	1.232	31.29	0.066	1.68	0.966	24.54	0.130	3.30			
68663-011	26	26	12	1.200	30.48	1.332	33.83	0.066	1.68	1.066	27.08	0.130	3.30			
68663-012	28	28	13	1.300	33.02	1.432	36.37	0.066	1.68	1.166	29.62	0.130	3.30			
68663-013	30	30	14	1.400	35.56	1.532	38.91	0.066	1.68	1.266	32.16	0.130	3.30			
68663-014	32	32	15	1.500	38.10	1.632	41.45	0.066	1.68	1.366	34.70	0.130	3.30			
68663-015	34	34	16	1.600	40.64	1.732	43.99	0.066	1.68	1.466	37.24	0.130	3.30			
68663-016	36	36	17	1.700	43.18	1.832	46.53	0.066	1.68	1.566	39.78	0.130	3.30			
68663-017	38	38	18	1.800	45.72	1.932	49.07	0.066	1.68	1.666	42.32	0.130	3.30			
68663-018	40	40	19	1.900	48.26	2.032	51.61	0.066	1.68	1.766	44.86	0.130	3.30			
68663-019	42	42	20	2.000	50.80	2.132	54.15	0.066	1.68	1.866	47.40	0.130	3.30			
68663-020	44	44	21	2.100	53.34	2.232	56.69	0.066	1.68	1.966	49.94	0.130	3.30			
68663-021	46	46	22	2.200	55.88	2.332	59.23	0.066	1.68	2.066	52.48	0.130	3.30			
68663-022	48	48	23	2.300	58.42	2.432	61.77	0.066	1.68	2.166	55.02	0.130	3.30			
68663-023	50	50	24	2.400	60.96	2.532	64.31	0.066	1.68	2.266	57.56	0.130	3.30			
68663-024	52	52	25	2.500	63.50	2.632	66.85	0.066	1.68	2.366	60.10	0.130	3.30			
68663-025	54	54	26	2.600	66.04	2.732	69.39	0.066	1.68	2.466	62.64	0.130	3.30			
68663-026	56	56	27	2.700	68.58	2.832	71.93	0.066	1.68	2.566	65.18	0.130	3.30			
68663-027	58	58	28	2.800	71.12	2.932	74.47	0.066	1.68	2.666	67.72	0.130	3.30			
68663-028	60	60	29	2.900	73.66	3.032	77.01	0.066	1.68	2.766	70.26	0.130	3.30			
68663-029	62	62	30	3.000	76.20	3.132	79.55	0.066	1.68	2.866	72.80	0.130	3.30			
68663-030	64	64	31	3.100	78.74	3.232	82.09	0.066	1.68	2.966	75.34	0.130	3.30			
68663-031	66	66	32	3.200	81.28	3.332	84.63	0.066	1.68	3.066	77.88	0.130	3.30			
68663-032	68	68	33	3.300	83.82	3.432	87.17	0.066	1.68	3.166	80.42	0.130	3.30			
68663-033	70	70	34	3.400	86.36	3.532	89.71	0.066	1.68	3.266	82.96	0.130	3.30			
68663-034	72	72	35	3.500	88.90	3.632	92.25	0.066	1.68	3.366	85.50	0.130	3.30			



FCIconnect.com

Copyright FCI

mat'l. code		surface		tolerance		projection		product family	
NOTE 1 & 3		ISO 1302 ✓		ISO 406 ISO 1101				HEADER	
ltr		ecn no/dr		date		tolerances unless otherwise specified		title	
G						angles linear 0°±2'		 INCH/MM scale 2.5:1	
								STRAIGHT HEADER FOR ROUND WIRE RECEPTACLE	
								dwg no sheet 3 of 6 size 68663 A3	
								type Product Customer Drawing	
sheet index		revision sheet							

PRODUCT NO		NO.OF		A	DIM B	DIM B	DIM C	DIM C	REAR SLOT VIEW G-G				DIM F		POL. POS	
NOTE	12	POS	PINS	SPACES	ENGLISH	METRIC	ENGLISH	METRIC	ENGLISH	METRIC	ENGLISH	METRIC	ENGLISH	METRIC	ROW A	ROW B
68663-035		6	6	2	0.200	5.08	0.332	8.43	0.066	1.68	0.000	0.00	0.155	3.94	----	----
68663-036		8	8	3	0.300	7.62	0.432	10.97	0.066	1.68	0.000	0.00	0.155	3.94		
68663-037		10	10	4	0.400	10.16	0.532	13.51	0.166	4.22	0.000	0.00	0.155	3.94		
68663-038		12	12	5	0.500	12.70	0.632	16.05	0.166	4.22	0.000	0.00	0.155	3.94		
68663-039		14	14	6	0.600	15.24	0.732	18.59	0.266	6.76	0.000	0.00	0.155	3.94		
68663-040		16	16	7	0.700	17.78	0.832	21.13	0.266	6.76	0.000	0.00	0.155	3.94		
68663-041		18	18	8	0.800	20.32	0.932	23.67	0.366	9.30	0.000	0.00	0.155	3.94		
68663-042		20	20	9	0.900	22.86	1.032	26.21	0.066	1.68	0.766	19.46	0.155	3.94		
68663-043		22	22	10	1.000	25.40	1.132	28.75	0.066	1.68	0.866	22.00	0.155	3.94		
68663-044		24	24	11	1.100	27.94	1.232	31.29	0.066	1.68	0.966	24.54	0.155	3.94		
68663-045		26	26	12	1.200	30.48	1.332	33.83	0.066	1.68	1.066	27.08	0.155	3.94		
68663-046		28	28	13	1.300	33.02	1.432	36.37	0.066	1.68	1.166	29.62	0.155	3.94		
68663-047		30	30	14	1.400	35.56	1.532	38.91	0.066	1.68	1.266	32.16	0.155	3.94		
68663-048		32	32	15	1.500	38.10	1.632	41.45	0.066	1.68	1.366	34.70	0.155	3.94		
68663-049		34	34	16	1.600	40.64	1.732	43.99	0.066	1.68	1.466	37.24	0.155	3.94		
68663-050		36	36	17	1.700	43.18	1.832	46.53	0.066	1.68	1.566	39.78	0.155	3.94		
68663-051		38	38	18	1.800	45.72	1.932	49.07	0.066	1.68	1.666	42.32	0.155	3.94		
68663-052		40	40	19	1.900	48.26	2.032	51.61	0.066	1.68	1.766	44.86	0.155	3.94		
68663-053		42	42	20	2.000	50.80	2.132	54.15	0.066	1.68	1.866	47.40	0.155	3.94		
68663-054		44	44	21	2.100	53.34	2.232	56.69	0.066	1.68	1.966	49.94	0.155	3.94		
68663-055		46	46	22	2.200	55.88	2.332	59.23	0.066	1.68	2.066	52.48	0.155	3.94		
68663-056		48	48	23	2.300	58.42	2.432	61.77	0.066	1.68	2.166	55.02	0.155	3.94		
68663-057		50	50	24	2.400	60.96	2.532	64.31	0.066	1.68	2.266	57.56	0.155	3.94		
68663-058		52	52	25	2.500	63.50	2.632	66.85	0.066	1.68	2.366	60.10	0.155	3.94		
68663-059		54	54	26	2.600	66.04	2.732	69.39	0.066	1.68	2.466	62.64	0.155	3.94		
68663-060		56	56	27	2.700	68.58	2.832	71.93	0.066	1.68	2.566	65.18	0.155	3.94		
68663-061		58	58	28	2.800	71.12	2.932	74.47	0.066	1.68	2.666	67.72	0.155	3.94		
68663-062		60	60	29	2.900	73.66	3.032	77.01	0.066	1.68	2.766	70.26	0.155	3.94		
68663-063		62	62	30	3.000	76.20	3.132	79.55	0.066	1.68	2.866	72.80	0.155	3.94		
68663-064		64	64	31	3.100	78.74	3.232	82.09	0.066	1.68	2.966	75.34	0.155	3.94		
68663-065		66	66	32	3.200	81.28	3.332	84.63	0.066	1.68	3.066	77.88	0.155	3.94		
68663-066		68	68	33	3.300	83.82	3.432	87.17	0.066	1.68	3.166	80.42	0.155	3.94		
68663-067		70	70	34	3.400	86.36	3.532	89.71	0.066	1.68	3.266	82.96	0.155	3.94		
68663-068		72	72	35	3.500	88.90	3.632	92.25	0.066	1.68	3.366	85.50	0.155	3.94	----	----



FCIconnect.com

Copyright FCI

mat'l. code NOTE 1 & 3		surface ISO 1302 ✓		tolerance ISO 406 ISO 1101		projection FIRST ANGLE		product family HEADER	
ltr ecn no dr date		tolerances unless otherwise specified		angles linear		INCH/MM		title STRAIGHT HEADER FOR ROUND WIRE RECEPTACLE	
G		0'±2'		.XX±.01/.XX±0.3 .XXX±.005/.XX±0.13 .XXXX±.0020/.XXX±0.05		scale 2.5:1		sheet 4 of 6 size 68663 A3	
dr E. KROPIEWINICK 11/13/97		enr L. FYE 11/13/97		chr T. BREWBAKER 11/13/97		appd L. FYE 11/13/97		type Product Customer Drawing	
sheet index		revision sheet							

PRODUCT NO		NO.OF		A	DIM B	DIM B	DIM C	DIM C	REAR SLOT VIEW G-G				DIM F		POL. POS		
NOTE 12	POS	PINS	SPACES	ENGLISH	METRIC	ENGLISH	METRIC	ENGLISH	METRIC	ENGLISH	METRIC	ENGLISH	METRIC	ENGLISH	METRIC	ROW A	ROW B
68663-069	6	6	2	0.200	5.08	0.332	8.43	0.066	1.68	0.000	0.00	0.200	5.08			----	----
68663-070	8	8	3	0.300	7.62	0.432	10.97	0.066	1.68	0.000	0.00	0.200	5.08				
68663-071	10	10	4	0.400	10.16	0.532	13.51	0.166	4.22	0.000	0.00	0.200	5.08				
68663-072	12	12	5	0.500	12.70	0.632	16.05	0.166	4.22	0.000	0.00	0.200	5.08				
68663-073	14	14	6	0.600	15.24	0.732	18.59	0.266	6.76	0.000	0.00	0.200	5.08				
68663-074	16	16	7	0.700	17.78	0.832	21.13	0.266	6.76	0.000	0.00	0.200	5.08				
68663-075	18	18	8	0.800	20.32	0.932	23.67	0.366	9.30	0.000	0.00	0.200	5.08				
68663-076	20	20	9	0.900	22.86	1.032	26.21	0.066	1.68	0.766	19.46	0.200	5.08				
68663-077	22	22	10	1.000	25.40	1.132	28.75	0.066	1.68	0.866	22.00	0.200	5.08				
68663-078	24	24	11	1.100	27.94	1.232	31.29	0.066	1.68	0.966	24.54	0.200	5.08				
68663-079	26	26	12	1.200	30.48	1.332	33.83	0.066	1.68	1.066	27.08	0.200	5.08				
68663-080	28	28	13	1.300	33.02	1.432	36.37	0.066	1.68	1.166	29.62	0.200	5.08				
68663-081	30	30	14	1.400	35.56	1.532	38.91	0.066	1.68	1.266	32.16	0.200	5.08				
68663-082	32	32	15	1.500	38.10	1.632	41.45	0.066	1.68	1.366	34.70	0.200	5.08				
68663-083	34	34	16	1.600	40.64	1.732	43.99	0.066	1.68	1.466	37.24	0.200	5.08				
68663-084	36	36	17	1.700	43.18	1.832	46.53	0.066	1.68	1.566	39.78	0.200	5.08				
68663-085	38	38	18	1.800	45.72	1.932	49.07	0.066	1.68	1.666	42.32	0.200	5.08				
68663-086	40	40	19	1.900	48.26	2.032	51.61	0.066	1.68	1.766	44.86	0.200	5.08				
68663-087	42	42	20	2.000	50.80	2.132	54.15	0.066	1.68	1.866	47.40	0.200	5.08				
68663-088	44	44	21	2.100	53.34	2.232	56.69	0.066	1.68	1.966	49.94	0.200	5.08				
68663-089	46	46	22	2.200	55.88	2.332	59.23	0.066	1.68	2.066	52.48	0.200	5.08				
68663-090	48	48	23	2.300	58.42	2.432	61.77	0.066	1.68	2.166	55.02	0.200	5.08				
68663-091	50	50	24	2.400	60.96	2.532	64.31	0.066	1.68	2.266	57.56	0.200	5.08				
68663-092	52	52	25	2.500	63.50	2.632	66.85	0.066	1.68	2.366	60.10	0.200	5.08				
68663-093	54	54	26	2.600	66.04	2.732	69.39	0.066	1.68	2.466	62.64	0.200	5.08				
68663-094	56	56	27	2.700	68.58	2.832	71.93	0.066	1.68	2.566	65.18	0.200	5.08				
68663-095	58	58	28	2.800	71.12	2.932	74.47	0.066	1.68	2.666	67.72	0.200	5.08				
68663-096	60	60	29	2.900	73.66	3.032	77.01	0.066	1.68	2.766	70.26	0.200	5.08				
68663-097	62	62	30	3.000	76.20	3.132	79.55	0.066	1.68	2.866	72.80	0.200	5.08				
68663-098	64	64	31	3.100	78.74	3.232	82.09	0.066	1.68	2.966	75.34	0.200	5.08				
68663-099	66	66	32	3.200	81.28	3.332	84.63	0.066	1.68	3.066	77.88	0.200	5.08				
68663-100	68	68	33	3.300	83.82	3.432	87.17	0.066	1.68	3.166	80.42	0.200	5.08				
68663-101	70	70	34	3.400	86.36	3.532	89.71	0.066	1.68	3.266	82.96	0.200	5.08				
68663-102	72	72	35	3.500	88.90	3.632	92.25	0.066	1.68	3.366	85.50	0.200	5.08			----	----



Copyright FCI

mat'l. code NOTE 1 & 3		surface ISO 1302 ✓		tolerance ISO 406 ISO 1101		projection FIRST ANGLE		product family HEADER	
ltr ecn no dr date		tolerances unless otherwise specified		INCH/MM		title STRAIGHT HEADER FOR ROUND WIRE RECEPTACLE		dwg no sheet 5 of 6 size	
G		angles linear		.XX±.01/XX±0.3 .XXX±.005/XX±0.13 .XXXX±.0020/XXX±0.051		scale 2.5:1		68663 A3	
		dr E. KROPIEWINICK 11/13/97		enr L. FYE 11/13/97		chr T. BREWBAKER 11/13/97		type Product Customer Drawing	
sheet index		revision sheet		appd L. FYE 11/13/97		FCI logo			

REAR SLOT VIEW G-G															
PRODUCT NO	NO.OF		A	DIM B	DIM B	DIM C	DIM C	DIM D	DIM D	DIM E	DIM E	DIM F	DIM F	POL. POS	
NOTE 12	POS	PINS	SPACES	ENGLISH	METRIC	ENGLISH	METRIC	ENGLISH	METRIC	ENGLISH	METRIC	ENGLISH	METRIC	ROW A	ROW A
68663-103	6	6	2	0.200	5.08	0.332	8.43	0.066	1.68	0.000	0.00	0.380	9.65	-----	-----
68663-104	8	8	3	0.300	7.62	0.432	10.97	0.066	1.68	0.000	0.00	0.380	9.65		
68663-105	12	12	5	0.500	12.70	0.632	16.05	0.166	4.22	0.000	0.00	0.380	9.65		
68663-106	16	16	7	0.700	17.78	0.832	21.13	0.266	6.76	0.000	0.00	0.380	9.65		
68663-107	20	20	9	0.900	22.86	1.032	26.21	0.066	1.68	0.766	19.46	0.380	9.65		
68663-108	14	13	6	0.600	15.24	0.732	18.59	0.266	6.76	---	---	0.130	3.30	-----	-----
68663-132	32	32	15	1.500	38.10	1.632	41.45	.066	1.68	1.366	34.70	.325	8.26	-----	-----



Copyright FCJ

mat'l. code NOTE 1 & 3		surface ISO 1302 ✓		tolerance ISO 406 ISO 1101		projection 		product family HEADER		
ltr	ecn	no	dr	date		tolerances unless otherwise specified		title		
G						angles	linear	INCH/MM		
						0'±2'	.XX±.01/XX±0.3 .XXX±.005/XXX±0.13 .XXXX±.0020/XXX±0.051	scale 2.5:1		
						dr	E. KROPIEWINICK	11/13/97		
						enr	L. FYE	11/13/97		
						chr	T. BREWBAKER	11/13/97		
						appd	L. FYE	11/13/97		
sheet	revision									
index	sheet									

